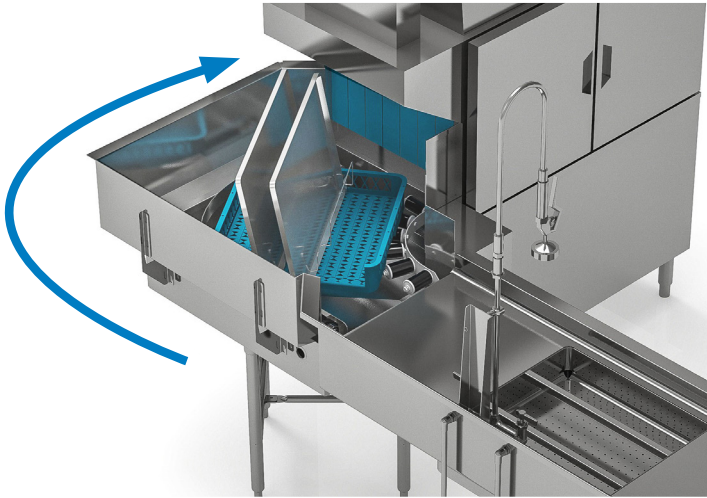
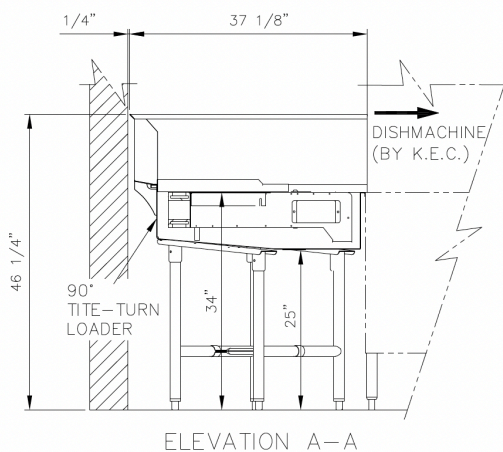
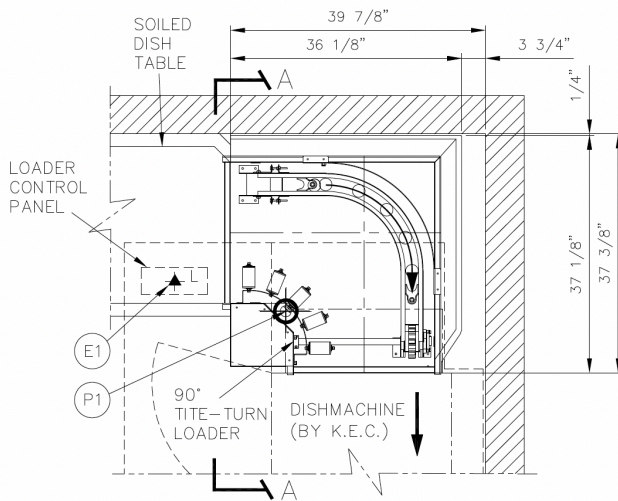


TTL TITE-TURN LOADER



DIMENSIONS ELEVATION A-A



Project Name: _____

Quantity: _____

Model No.: TTL _____

Direction: L-R RL

DESCRIPTION

The Tite-Turn Loader allows dish racks to make tightest 90° within 37-1/8" footprint at the dishwasher loading side. Its 90° turn knuckle belt conveyor transports dish racks into the dishwasher. It allows flexibility in dishroom designs to conserve floor space and is ideal for small dishroom application. The Tite-Turn Loader is available in L-R and R-L model. The unit interconnects to any conveyor type dishwasher.

STANDARD FEATURES

- 14-gauge stainless steel construction
- Attached to loading side of a dishwasher by stainless steel bolts
- The 90° turn makes a smooth transition to the dishwasher
- System is interwired to a dishwasher; it runs when dishwasher runs
- 90° turn knuckle belt conveyor's pivot-radius drive chain provides motive power to pull 20" x 20" dish racks around a tight radius so that overall dimension from end of dishwasher to far side of Tite-Turn Loader is approximately 39".

(a) 3/1-4" minimum required for sheet pans to make turn



LEGEND

Plumbing Connections	
P1	Drain connection: 1-1/2" drain approx. 25" AFF.
Electrical Connections	
E1	Power connection: 208V, 3φ & 15-amp, 60 Hz

Voltages Available: - 208V, 3φ & 480V, 3φ
- 120V, 1φ at additional

CAD and Revit Files Available Upon Request

WARNING:

Electrical and grounding connections must comply with the applicable portions of the National Electrical Code and/or other local electrical codes.

Plumbing connections must comply with applicable sanitary, safety and plumbing codes.