

TTUL TITE-TURN UNLOADER



Project Name: _____

Quantity: _____

Model No.: TTUL90-CT2 TTUL90-CT6 TTUL180-CT5
 TTUL90-CT3 TTUL180-CT2 TTUL180-CT6
 TTUL90-CT4 TTUL180-CT3 TTUL90-CT5
 TTUL180-CT4

Direction: L-R R-L



STANDARD FEATURES

Tite-Turn Unloader:

- 14-gauge stainless steel construction
- Attached to unloading side of a dishwasher by stainless steel bolts
- System is interwired to a dishwasher; it runs when dishwasher runs
- 90° turn knuckle belt conveyor's pivot-radius drive chain provides motive power to pull 20" x 20" dish racks around a tight radius so that overall dimension from end of dishwasher to far side of Tite-Turn Unloader is approximately 39"
- The 90° turn makes a smooth transition to the roller table.
- Support structure made from 1-5/8" Ø stainless- steel tubing with adjustable flange feet

DESCRIPTION

The Tite-Turn Unloader allows dish racks to make tightest 90° or 180° turn within 37-1/8" footprint at the dishwasher unloading side. It is ideal for small dishroom application since it allows flexibility in dishroom designs by conserving floor space. The Tite-Turn Unloader is available in L-R, R-L, 90° and 180° model. The unit interconnects to any conveyor type dishwasher.

The Tite-Turn Unloader transports dish racks from the dishwasher onto a clean roller table. The clean roller table accumulates dish racks until the first dish rack activates the limit switch at the end. Both dishwasher and Tite-Turn Unloader will stop when the limit switch is activated. The rollers are elevated allowing a quicker drying time for clean dishes.

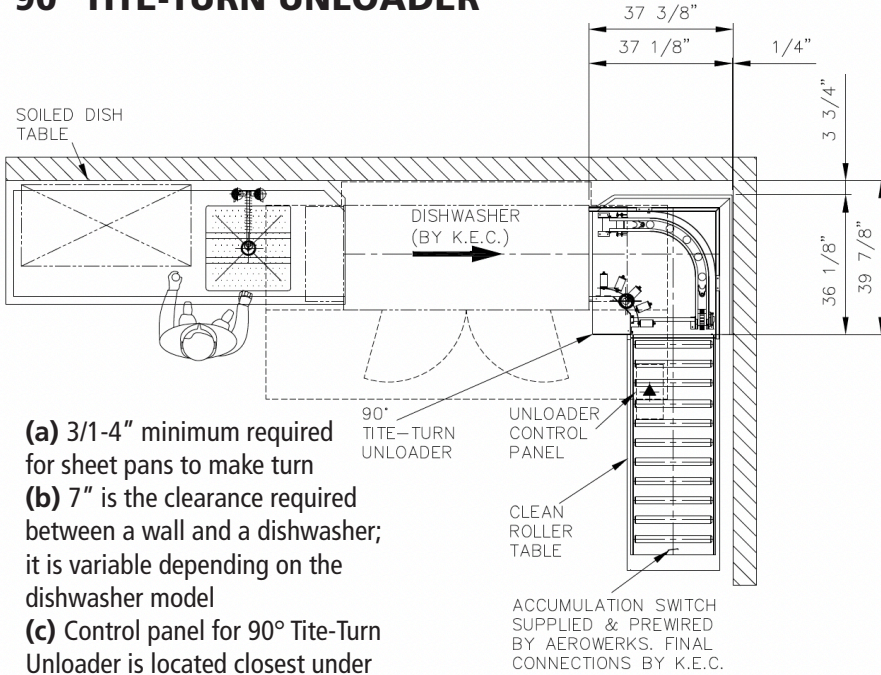
Clean Roller Table:

- Comes with removable PVC roller sections
- Comes with a 14-gauge stainless-steel pan sloped to a drain
- Support structure made from 1-5/8" Ø stainless-steel tubing with adjustable flange feet
- The Accumulation switch is integrated with the dishwasher to shut machine off when a rack reaches the end of the table. Accumulation switch is supplied and pre-wired by Aerowerks. Final connection is by K.E.C..
- Overhead and/or under shelves for storage are available as options.
- Table length varies depending on its dish rack capacity: 1 rack, 2 rack, ..., 5 rack, etc.

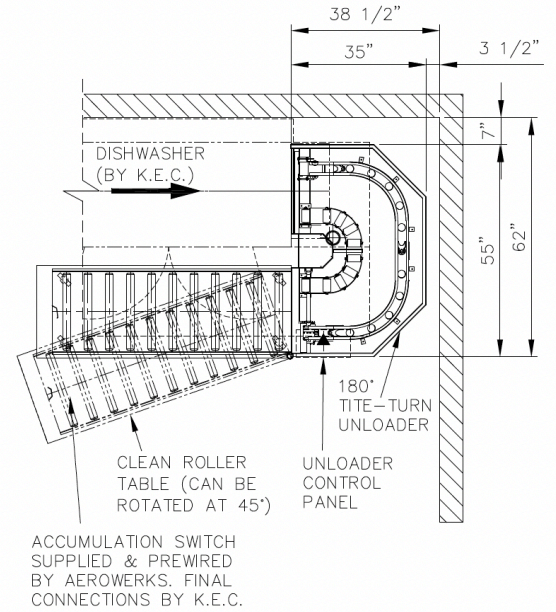
Tilt-Turn Model #	Tilt-Turn Type	Tilt-Turn Dimension (W x L x H)	Clean Roller Table Capacity	Clean Roller Table Dimension (W x L x H)	O.A. Dimension (W x L x H)
TTUL90-CT2	90°	33-7/8' x 32-7/8" x 34"	2 Dish Rack	26" x 48" x 34"	33-7/8" x 80-7/8" x 34"
TTUL90-CT3			3 Dish Rack	26" x 66" x 34"	33-7/8" x 98-7/8" x 34"
TTUL90-CT4			4 Dish Rack	26" x 86" x 34"	33-7/8" x 118-7/8" x 34"
TTUL90-CT5			5 Dish Rack	26" x 106" x 34"	33-7/8" x 138-7/8" x 34"
TTUL90-CT6			6 Dish Rack	26" x 126" x 34"	33-7/8" x 158-7/8" x 34"
TTUL180-CT2			180°	55" x 35" x 34"	2 Dish Rack
TTUL180-CT3	3 Dish Rack	26" x 66" x 34"			55" x 101" x 34"
TTUL180-CT4	4 Dish Rack	26" x 86" x 34"			55" x 121" x 34"
TTUL180-CT5	5 Dish Rack	26" x 106" x 34"			55" x 141" x 34"
TTUL180-CT6	6 Dish Rack	26" x 126" x 34"			55" x 161" x 34"

TTUL TITE-TURN UNLOADER

CONFIGURATIONS: 90° TITE-TURN UNLOADER

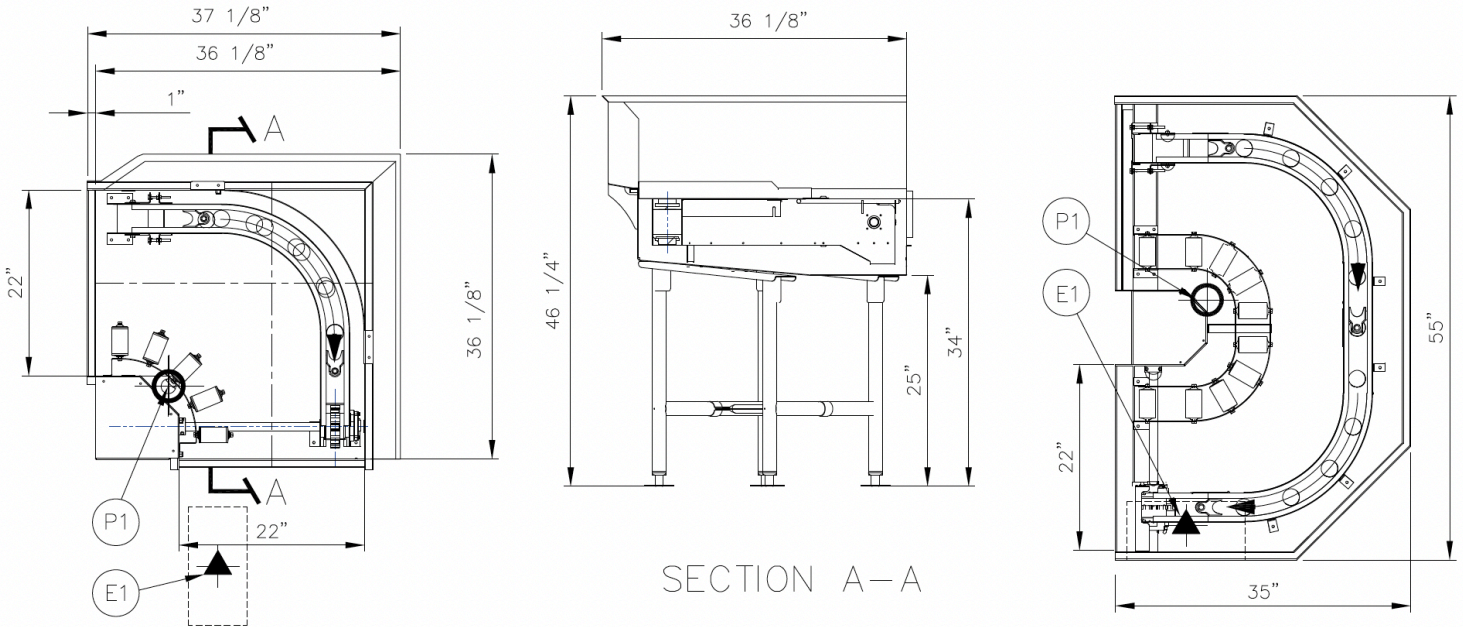


180° TITE-TURN UNLOADER



- (a) 3/1-4" minimum required for sheet pans to make turn
- (b) 7" is the clearance required between a wall and a dishwasher; it is variable depending on the dishwasher model
- (c) Control panel for 90° Tite-Turn Unloader is located closest under the clean roller table

DIMENSIONS



Voltages Available: - 208V, ϕ & 480V, 3 ϕ
- 120V, 1 ϕ at additional

WARNING: Electrical and grounding connections must comply with the applicable portions of the National Electrical Code and/or other local electrical codes.

Plumbing connections must comply with applicable sanitary, safety and plumbing codes.

LEGEND

Plumbing Connections	
P1	Drain connection: 1-1/2" drain approx. 25" AFF.
Electrical Connections	
E1	Power connection: 208V, 3 ϕ & 15-amp, 60 Hz

CAD and Revit Files Available Upon Request